

PAM GLOBAL® Rapid NG Single bolt coupling

PAM GLOBAL® Rapid coupling, new-generation
New design, unbeatable performances
DN 50 to 200



NEW

Coupling performances
Hydrostatic test pressure
DN 50 to 125: 10 bars
DN 150 to 200: 5 bars

In accordance with EN 877

Angular deflection:
3° from DN 50 to DN 200

Standard version W2:

- Strap, clamps: 1.4510 /11 in accordance with NF EN 10027-2 (AISI 430Ti / 439)
- Screw: coated steel class 8.8
- Nut: coated steel class 8

All stainless steel version W5:

- Strap, clamps: 1.4404 / 1.4571 in accordance with NF EN 10027-2 (AISI 316 L/316Ti)
- Screw and nut: austenitic stainless steel A4-70 or AISI 316

Compliance with EN877 third party certified through Ü marking.



Acknowledged qualities



Easy to install

The Global Rapid NG coupling, single bolt, allows a fast and reliable installation. With its full tightening “null gap”, no use checking the torque. Its great rigidity ensures excellent horizontal stability and perfect alignment of horizontal collector pipes.



Safety and pressure resistance

A wide stainless steel collar allows tolerance during installation.

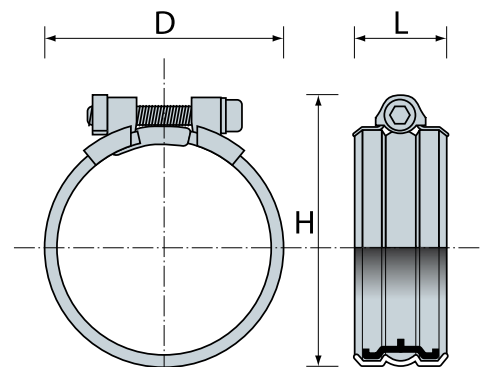
Its profile, with edges directed towards the pipe, encases the elastomer gasket and prevents any risk of it being expelled during tightening. In case of fire, the rubber gasket is not exposed to flames.

When fully tightened, the coupling ensures a built-in electrical continuity, without any added clip.



Dimension table

DN	PROD CODE		D	H	L	WEIGHT
	STANDARD W2	SSTEEL W5				
50	210424	185635	70	80	42	0.10
65 (75 SMA)	210824	210823	83	94	42	0.12
70	210425	207818	85	98	42	0.12
75/80	210426	207819	90	103	42	0.12
100	210427	185636	125	139	48	0.18
125	210428	207820	147	161	56	0.28
150	210429	207831	172	187	56	0.32
200	210430	185637	223	240	70	0.60



Better-than-ever performances



New profile for the stainless steel collar

The central convex curvature of the collar optimises angular deflection and caters for any misalignment between two pipes, thus ensuring perfect water-tightness.

Reinforcement and optimisation of the fastening area

The new profile of the end of the stainless collar – adapted to the profile of the clamps – prevents any risk of interference for “null gap” tightening. The clamps have been strengthened with additional weld spots. The captive fastening screw, with an anti-seizing coating is inserted in a wing- nut, which prevents rotation and accidental deformation of the stainless steel collar.

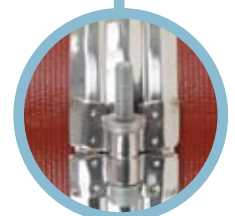


The wing-nut rests on the clamps and is not in contact with the collar, so it cannot damage or deform it during tightening.

These components ensure optimised water-tightness and pressure resistance.

Optimised anticorrosion performances

The characteristics of the steel used for the collar, clamps and bolt have been carefully selected to minimise galvanic corrosion and optimise the corrosion resistance of the fastening area.



Assembly

As a sleeve



Push the supplied assembled coupling onto the pipe spigot so that it comes in full stop on the central bulge of the elastomer gasket.



Push the next pipe spigot into the other end of the coupling.



Tighten the screw to “nul gap” position with a ratchet handle or an electric screwdriver

Pressure resistance

in specific areas

To withstand end thrust effects in specific areas (i.e branch connections and changes of direction) the use of grip collars is necessary.

PAM GLOBAL Rapid NG is fully compatible with most grip collars available on the market.

The assembly performance depends on the grip collar one. In general, up to 10 bars for DN 50 to DN 125, and 5 bars for DN 150 and 200, depending on the product specifications.




SAINT-GOBAIN
PAM

SAINT-GOBAIN PAM
HEAD OFFICE
91, avenue de la Libération
54076 NANCY Cedex - FRANCE

Building Activity
12, rue Nicolas Noël
54460 LIVERDUN - FRANCE
Tel: +33 (0)3 83 84 29 01